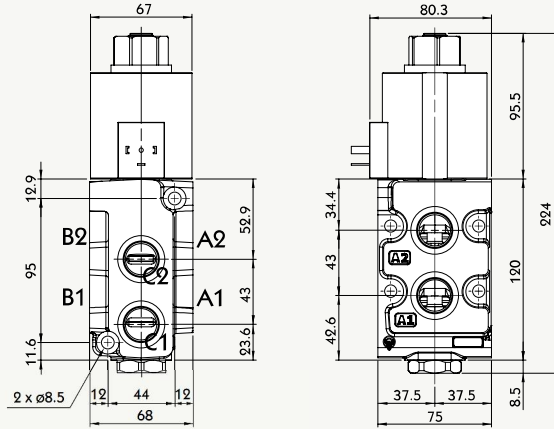
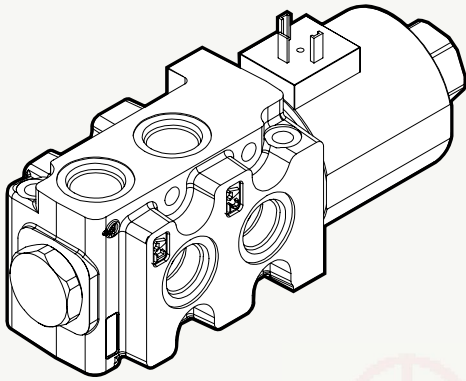


Solenoid Operated Sectional Type 電控片式換向閥

Type SCS

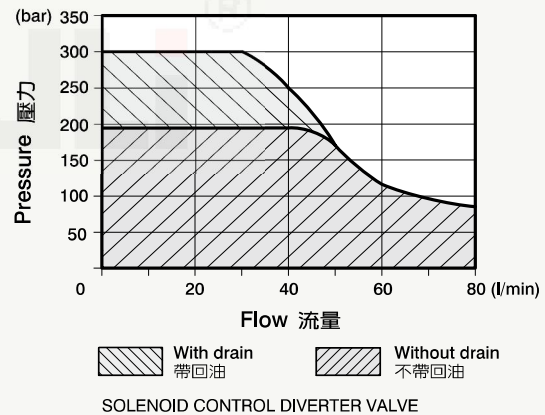
solenoid control section valve 電控換向閥



Nominal flow rating 額定流量		80 L/min	21 US gpm
Operating pressure (Max.) 使用壓力 (最大)	with drain 帶回油	315 bar	4600 psi
	without drain 不帶回油	200 bar	2900 psi
Fluid temperature 流體溫度	with NBR seals O環 (NBR)	-20°C~80°C	-4°F~176°F
	with FPM seals O環 (FPM)	-20°C~100°C	-4°F~212°F
Viscosity 黏度係數	Operating range 建議使用範圍	15mm ² /s~75mm ² /s	15~75 cst
	Max. 最大	400mm ² /s	400 cst
	Min. 最小	12mm ² /s	12 cst
Ambient temperature 環境溫度		-40°C~60°C	-40°F~140°F

Standard threads

PORTS	BSP	UN-UNF
P	G 1/2	7/8 - 14 (SAE 10)
A	G 1/2	7/8 - 14 (SAE 10)
B	G 1/2	7/8 - 14 (SAE 10)



EXAMPLE-Order Code: **SCS4 - 1S - 1 W - 1 E**

1 2 3 4 5 6

- 1 Valve type 型號
- 2 No. of section 聯數
- 3 Spool type 心軸規格
- 4 Positioner kit 接頭規格
- 5 Coil type 線圈規格
- 6 Thread type 螺紋規格

- SCS-4 available sections from 1 TO 3
- 可使用聯數 1 到 3

TYPE DESCRIPTION

W: Spring return in position 1 不帶回油
Y: Spring return in position 1, with drain port 帶回油

SPOOL TYPE 心軸規格

